

# Mooring Diagram

## Depth 34-60 meter

STATION NAME \_\_\_\_\_  
 STATION ID# \_\_\_\_\_  
 PROPOSED DATE \_\_\_\_\_  
 BUOY SERIAL# \_\_\_\_\_  
 TOPHAT SERIAL# \_\_\_\_\_  
 FREQUENCY \_\_\_\_\_  
 TARGET LAT (dec minutes) \_\_\_\_\_  
 TARGET LONG (dec minutes) \_\_\_\_\_  
 TARGET DEPTH \_\_\_\_\_

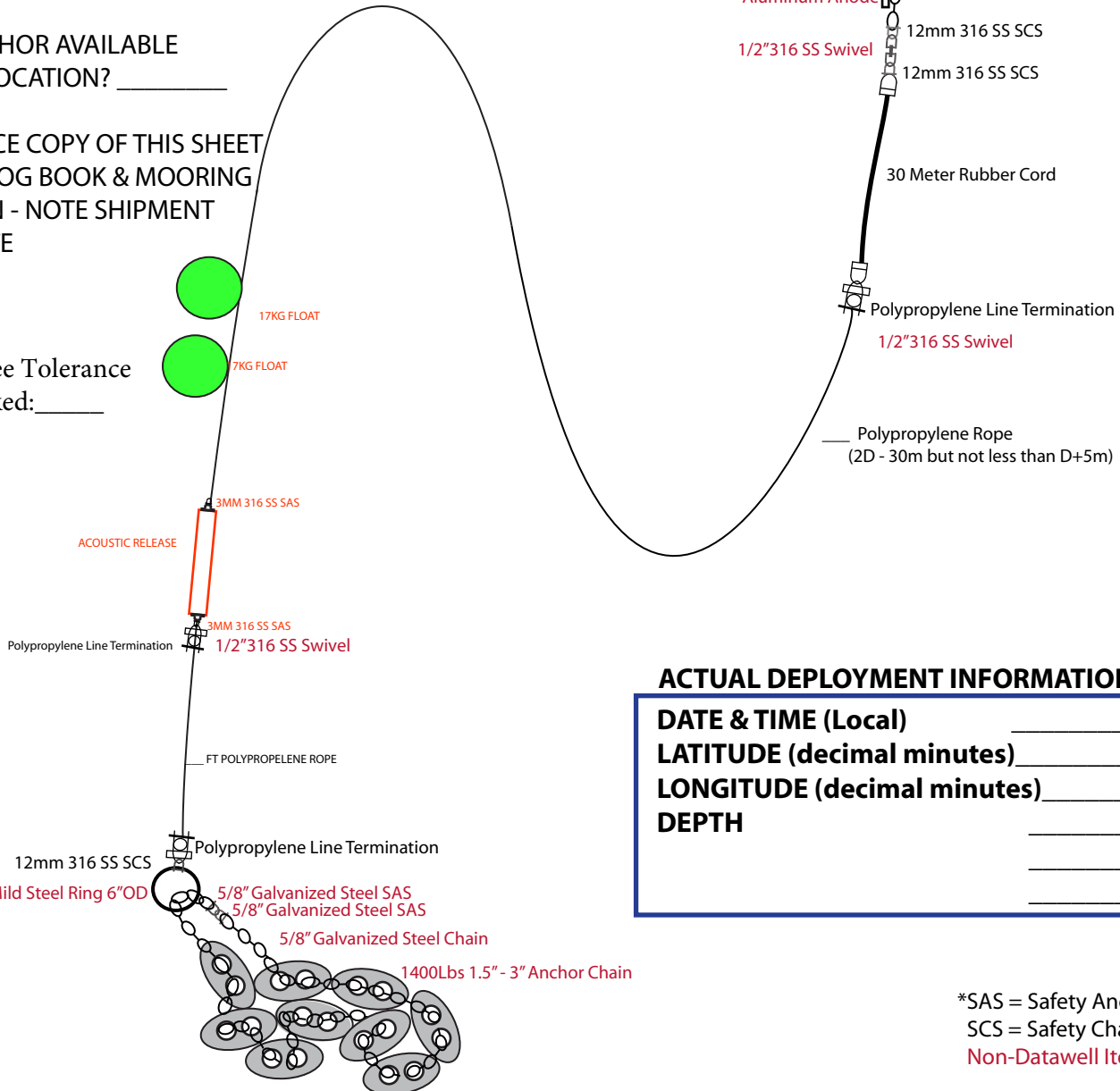
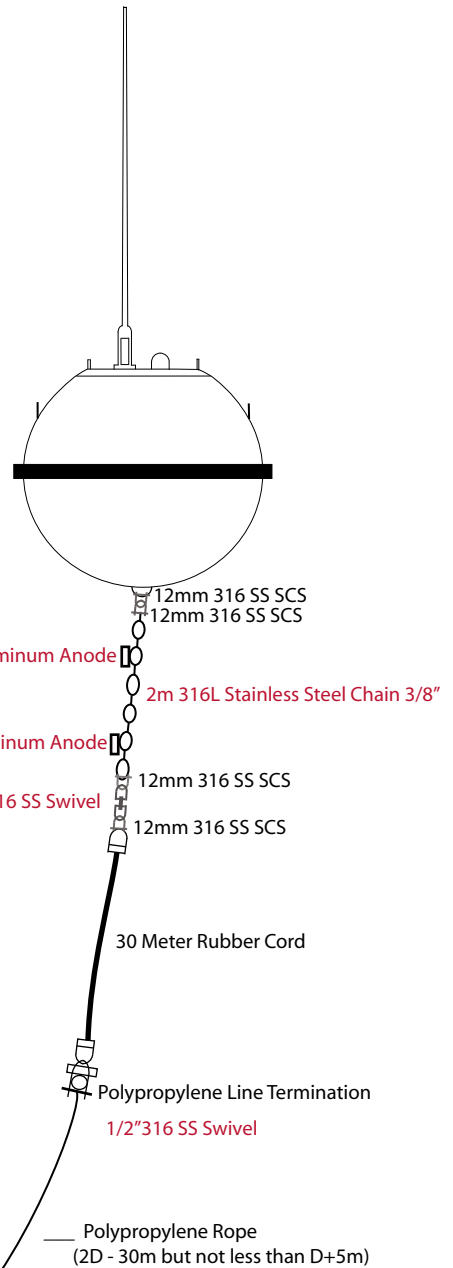
GALVANIZED CHAIN  
 & MILD STEEL RING  
 IN MOORING CAN: INITIAL & DATE \_\_\_\_\_

ACOUSTIC RELEASE CHECKLIST \_\_\_\_\_

ANCHOR AVAILABLE  
 AT LOCATION? \_\_\_\_\_

PLACE COPY OF THIS SHEET  
 IN LOG BOOK & MOORING  
 CAN - NOTE SHIPMENT  
 DATE

Bungee Tolerance  
 Checked: \_\_\_\_\_



**ACTUAL DEPLOYMENT INFORMATION**

DATE & TIME (Local)	_____
LATITUDE (decimal minutes)	_____
LONGITUDE (decimal minutes)	_____
DEPTH	_____ (m)
	_____ (fthms)
	_____ (ft)

\*SAS = Safety Anchor Shackle  
 SCS = Safety Chain Shackle  
 Non-Datowell Items